

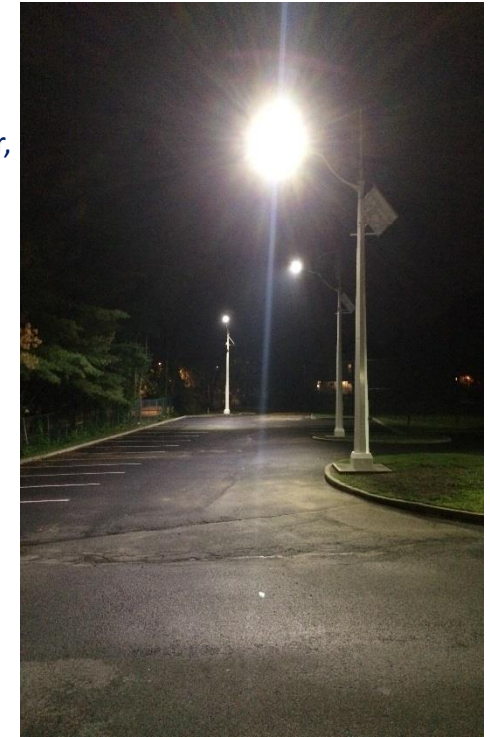


RPU - Remote Power Unit

Off-Grid Wind/Solar LED Streetlight



- **100% renewable and storm resilient power**
- **Now UL Listed Awaiting Certification**
- Patented wind turbine technology for smaller, shorter, quieter, more efficient wind power
- Advertising
 - Customized Branding
 - Add On Value
- Eliminates underground trenching/wiring for easy installation
- 3-5 days energy storage if no wind/solar
- Web based monitoring and control for power/light management
- Multi Use Hosting
 - USB Charging
 - Local Wi-Fi
 - Cameras
 - Air Quality Sensors



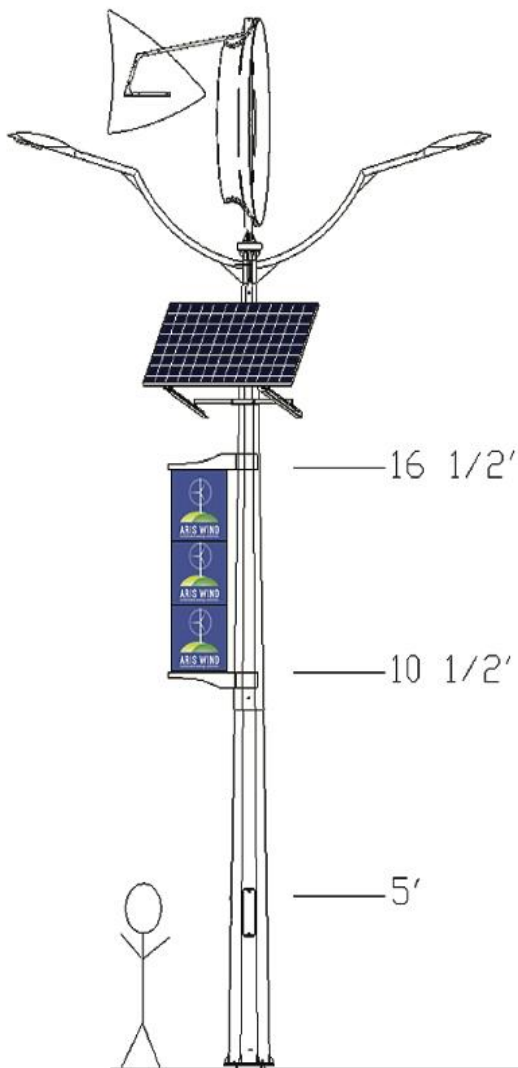
Features:

- 30' Tower Powder Coated White
- 80w LED
- 300w Generator
- 395w Solar Panel
- 2 – 230 Ah batteries
- 24v System



www.ariswind.com

Office: 914 – 663 – 2747 ARIS WIND, LLC 506 S. 9th Avenue, Mount Vernon, NY 10550



Wind Power (Permanent Magnetic Generator)	
Rated Power Output	300w
Rated Wind Speed	9 m/s (20 mph)
Cut in Wind Speed	2 m/s (4.5 mph)
Solar Power	
Number of Panels	1 Polycrystalline Panel
Rated Power Output	250w - 500w
LED Lighting	
Number of Lights	1 or 2 lamp arms/fixtures
Wattage/Fixture	60w, 80w, 100w Dimmable
Control System	
Charge Controller	Airsynerg Hybrid Controller
Voltage To Battery	24v
Batteries	
Type	Absorbent Glass Mat (AGM)
Number	(2) 12v Batteries for 24v Storage
Capacity (amp-hrs)	230 amp hour
Tower	
Material	Hot Dipped Galvanized Steel
Powder Coat Paint	White (std), Green/Brown (opt)

